

# 兴化市华宇电子有限公司

XINGHUA HUAYU ELECTRONICS CO.,LTD.

地址：兴化市陈堡镇工业区

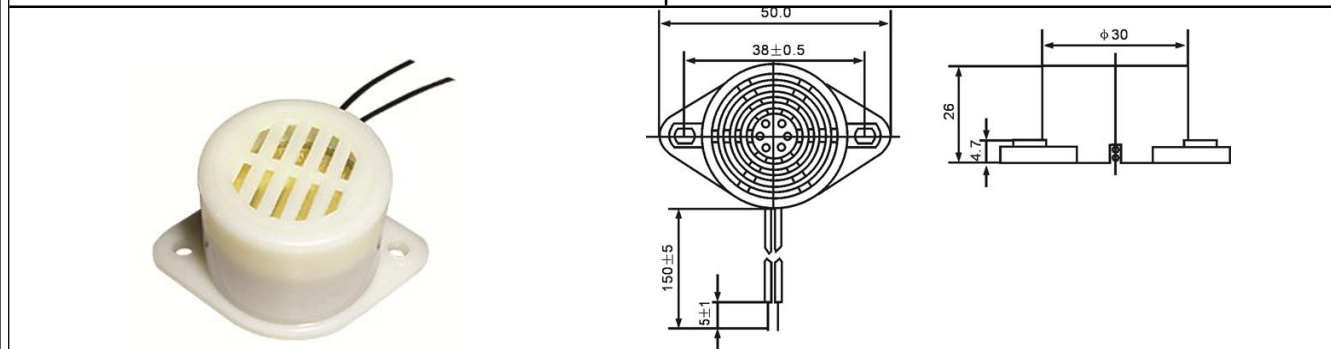
Add: Industrial Park, Chenbao Town, Xinghua City, Jiangsu Province

TEL: 0523-83723110 FAX: 0523-83723118

Http:www.js-huayu.com E-mail:China\_hydz@163.com

Customer 客户名称:	Number 编号: HYDZ120525-041
----------------	---------------------------

Item 品名: 蜂鸣器	Part No 型号: HYD-3026 (连续/报警/音乐声)
--------------	----------------------------------



<b>ELECTRICAL CHARACTERISTICS 参数</b>	<b>RESPONSE FREQUENCY 频率</b>
--------------------------------------	------------------------------

<table border="1" style="width: 100%; border-collapse: collapse;"> <tr> <td>Rated Voltage</td> <td>12VDC</td> <td>220VAC</td> </tr> <tr> <td>Operating Voltage</td> <td>9~15</td> <td>200-240</td> </tr> <tr> <td>Rated Current(Max)</td> <td>40</td> <td>8</td> </tr> <tr> <td>Min Sound Output at 30cm</td> <td>85</td> <td>85</td> </tr> <tr> <td>Resonant Frequency</td> <td colspan="2">2400±500</td> </tr> <tr> <td>Operating Temperature</td> <td colspan="2">-20~+60</td> </tr> <tr> <td>Weight</td> <td colspan="2" style="text-align: center;">12g</td> </tr> <tr> <td colspan="3" style="text-align: center;">TEST INSTRUMENT 测试仪器</td> </tr> <tr> <td>示波器</td> <td colspan="2">DASG3186</td> </tr> <tr> <td>频率计</td> <td colspan="2">2B-14</td> </tr> <tr> <td>声级计</td> <td colspan="2">CAL-7749</td> </tr> <tr> <td>电声测试仪</td> <td colspan="2">JH6160</td> </tr> </table>	Rated Voltage	12VDC	220VAC	Operating Voltage	9~15	200-240	Rated Current(Max)	40	8	Min Sound Output at 30cm	85	85	Resonant Frequency	2400±500		Operating Temperature	-20~+60		Weight	12g		TEST INSTRUMENT 测试仪器			示波器	DASG3186		频率计	2B-14		声级计	CAL-7749		电声测试仪	JH6160		
Rated Voltage	12VDC	220VAC																																			
Operating Voltage	9~15	200-240																																			
Rated Current(Max)	40	8																																			
Min Sound Output at 30cm	85	85																																			
Resonant Frequency	2400±500																																				
Operating Temperature	-20~+60																																				
Weight	12g																																				
TEST INSTRUMENT 测试仪器																																					
示波器	DASG3186																																				
频率计	2B-14																																				
声级计	CAL-7749																																				
电声测试仪	JH6160																																				

	<b>OTHERS 其它</b>
--	------------------

<b>Materials 材料</b>	
---------------------	--

OUTSIDE SHELL 外壳	ABS 材料	CIRCUIT 电路	
WIRE 线材		CORE 磁材	磁环
SHEET 蜂鸣片	CEREMIC PIEZO ELEMENT	COATING EPOXY 胶	AB 胶

<b>NO</b>	Revision 更改记录\Date 日期\Check 审查	Approved 核准	checked By 审查	Drawn By 制作
1				<b>Shi Jianqiang</b>
2				
3		Remark 备注		