



HYDZ[®] MESSRS:

SPECIFICATION FOR APPROVAL

产品规格书

DESCRIPTION : SMD BUZZER
PART NO. : HYG1203A
USER' S PART NO. :
DATE : 2015. 10. 23
CUSTOMER APPROVED :

Approved By	Checked By	Made By

兴化市华宇电子有限公司

XINGHUA HUAYU ELECTRONICS CO., LTD

地址：江苏省兴化市陈堡工业区人民路1号
电话：0523-83723110/600 传真：0523-83723118
网址：www.js-huayu.com 邮箱：china_hydz@163.com

HYG1203A

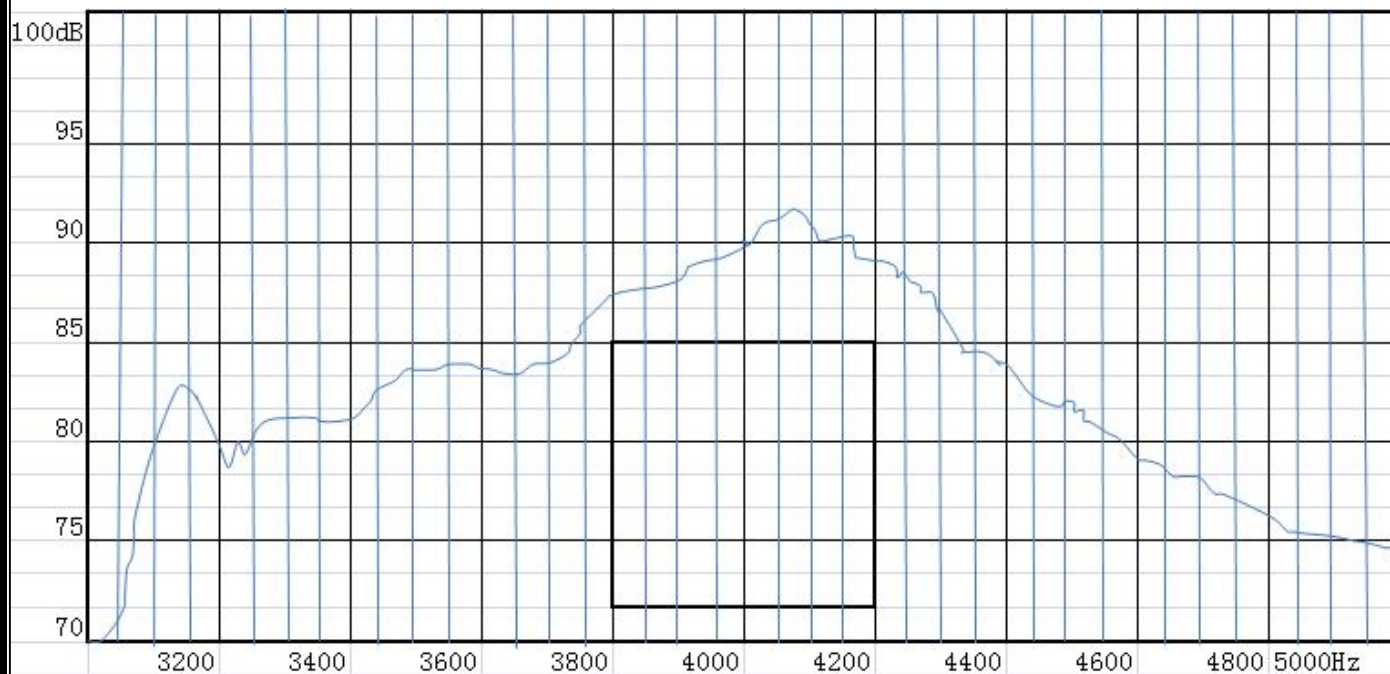
DATE:2015.10.23

1 . Electrical Characteristics

VER .:0

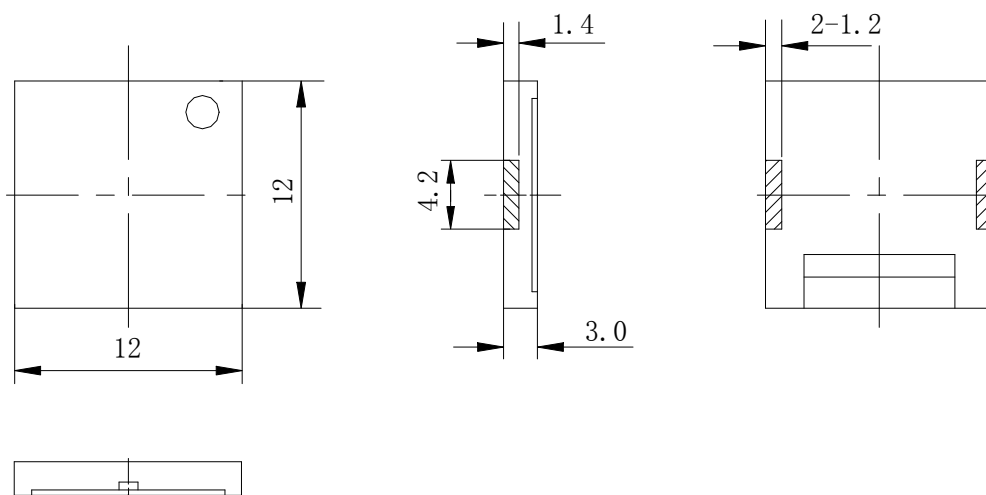
No.	Item	Unit	Specification	Condition
1	Oscillation Frequency	Hz	4000	
2	Operating Voltage	V _{DC}	1~20	
3	Rated Voltage	V _{DC}	12	
4	Current Consumption	mA	MAX. 8	at Rated Voltage
5	Sound Pressure Level	dB	≥80	at 10cm at Rated Voltage
6	Operating Temperature	°C	-20 ~ +70	
7	Storage Temperature	°C	-30 ~ +80	
8	Dimension	mm	L12*W12*H3mm	
9	Electrostatic Capacity		16000±30%pF at 1 KHz/1V	

2 . Typical Frequency Response Curve



3 . Dimensions and Material

3-1 Shape



Unit: mm Tol: ± 0.3

3-2 Material

Housing	LCP plastic resin (Color : BLACK)
Terminal	SMD Type
Weight (Gram)	0.42

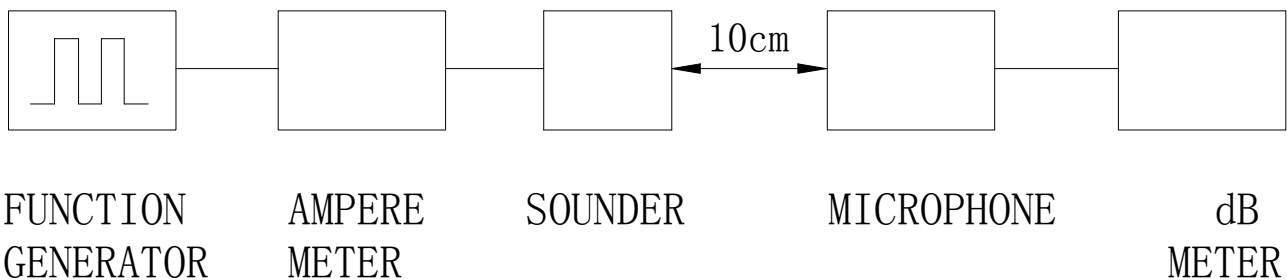
4. TESTING METHOD

• **Standard Measurement conditions**

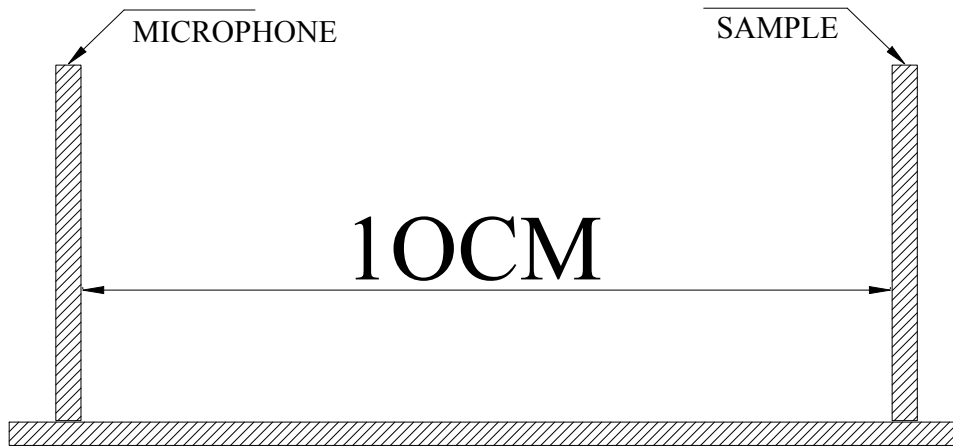
Temperature: $25 \pm 2^\circ\text{C}$ Humidity: 45-60%

• **Acoustic Characteristics**

The oscillation frequency, current consumption and sound pressure are measured by the measuring instruments shown below.



In the measuring test, buzzer is placed as follows:



5. RELIABILITY

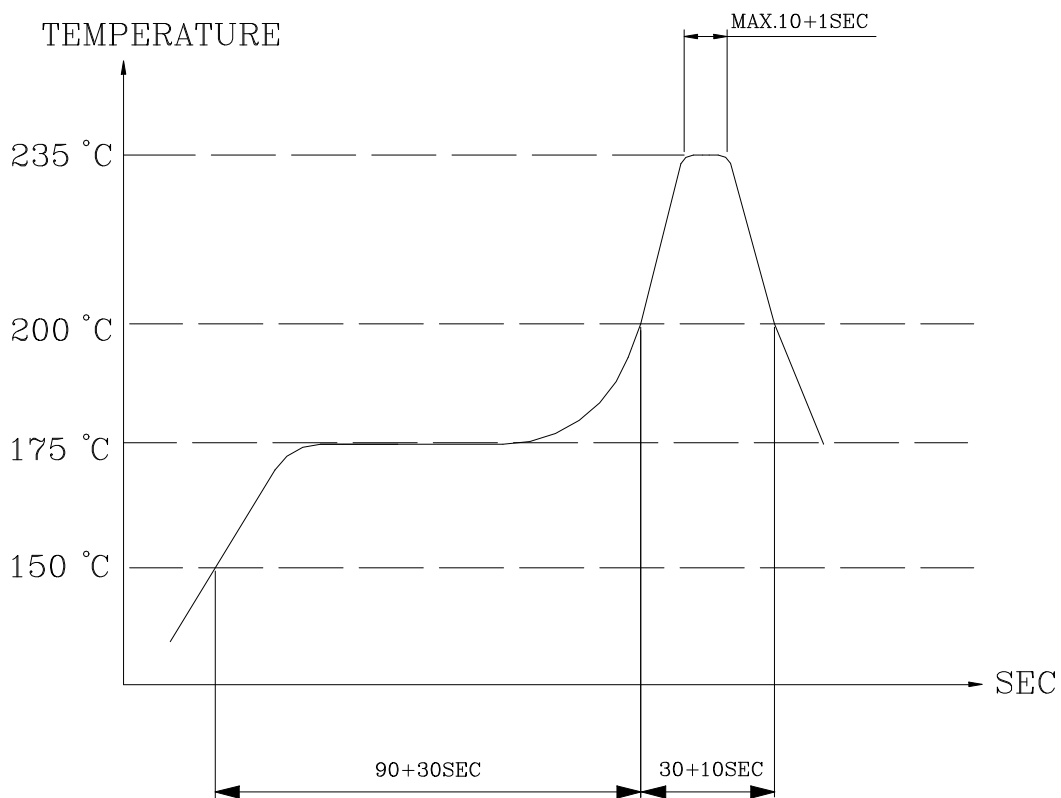
ITEMS	METHOD OF TEST AND MEASUREMENTS	PERFORMANCE	判断标准/Criteria
<i>Coldness withstanding</i>	<i>After 98 hours of being exposed to -30 °C environment, should be returned to normal environment for 2 hours, then re-proceed to test.</i>	<i>No abnormality shall exist</i>	经过测试，符合规格，没有任何不合格的外观和性能，除了是 80 分贝或以上 (4000 Hz)
<i>Hotness withstanding</i>	<i>After 98 hours of being exposed to +100 °C environment, should be returned to normal environment for 2 hours, then re-proceed to test.</i>	<i>No abnormality shall exist</i>	After the test the part shall meet specifications without any degradation in appearance
<i>Humidity withstanding</i>	<i>After 98 hours of being exposed to 40 °C 95%RH environment in actual operation, should be returned to normal environment for 2 hours, then re-proceed to test.</i>	<i>No abnormality shall exist</i>	And performance except SPL. SPL shall be 80 dB More. (at 4000 Hz)
<i>Durability</i>	<i>Testing after 1,000 hours actual continuous operation.(at standard measurement conditions)</i>	<i>No abnormality shall exist</i>	
<i>Drop withstanding</i>	<i>A natural drop from 75cm high down to the ground.</i>	<i>No abnormality shall exist</i>	

Vibration withstanding	Vibration of 2,000 cycles per minute, 2mm amplitude, applied in X, Y and Z directions for 30 minutes each.	No abnormality shall exist	
------------------------	--	----------------------------	--

6.Soldering Condition

(1)Recommendable reflow soldering condition is as follows
(Reflow soldering is twice)

Note:It is requested that reflow soldering should be executed after heat of product goes down to normal.



Heat resistant line

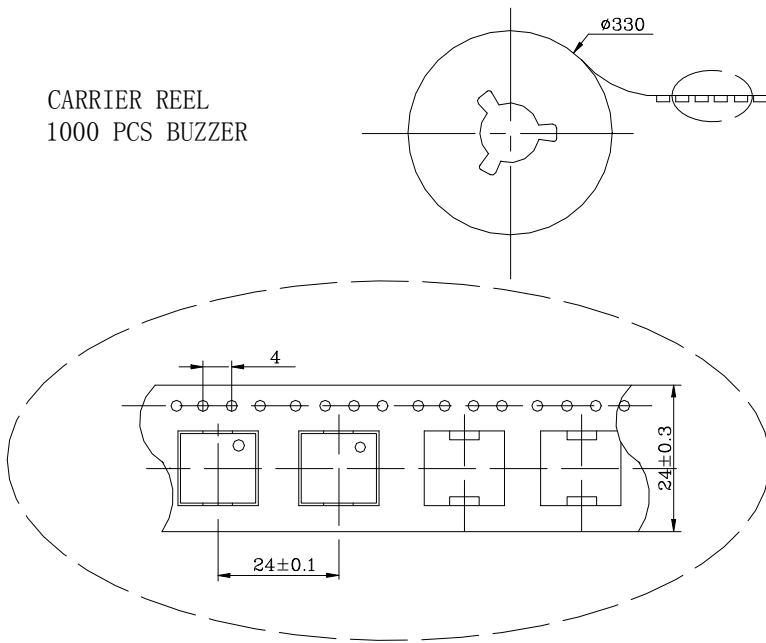
(Used when heat resistant reliability test is performed)

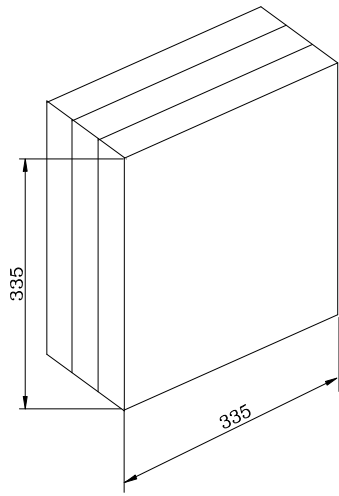
(2) Manual soldering

Manual soldering temperature 350 C within 10 sec.

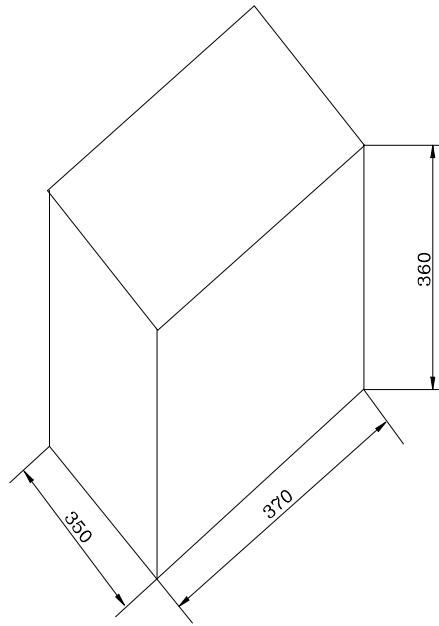
7. PACKAGE METHOD

CARRIER REEL
1000 PCS BUZZER





INNER BOX
1 ROLL CARRIER REEL



CARTON BOX
10 INNER BOX
10K PCS BUZZER

Unit:mm